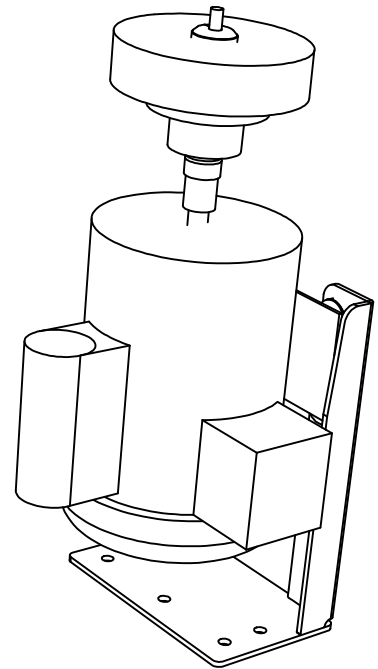
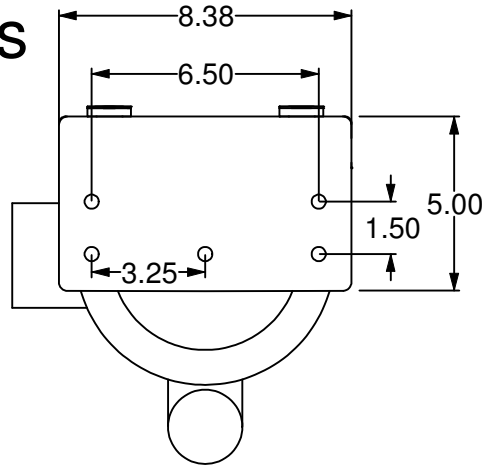


All dimensions are in inches



Overall dimensions may vary with different motor options-
 'A' dimension- 1.5 HP = 20"
 2HP stainless = 21"
 3HP stainless = 23"

REVISION	DRAWN BY	CHECKED BY	DATE	UNLESS OTHERWISE SPECIFIED: DIMENSIONS ARE IN INCHES TOLERANCES: TWO PLACE DECIMAL ± .01" THREE PLACE DECIMAL ± .005"	Ledebuhr Industries, Inc. 1-(517)-618-9450 101 Innovation Parkway Williamston, MI 48895 USA
0	ZJW	MBV	3-03-11	MATERIAL: Various	PART NAME: Electric Atomizer
				FINISH: Break all sharp edges	PART NUMBER: PT200 series
				DO NOT SCALE DRAWING	Proprietary and confidential. The information contained in this drawing is the sole property of Ledebuhr Industries, Inc. Any reproduction in whole or in part without the written permission of Ledebuhr Industries, Inc., is prohibited.